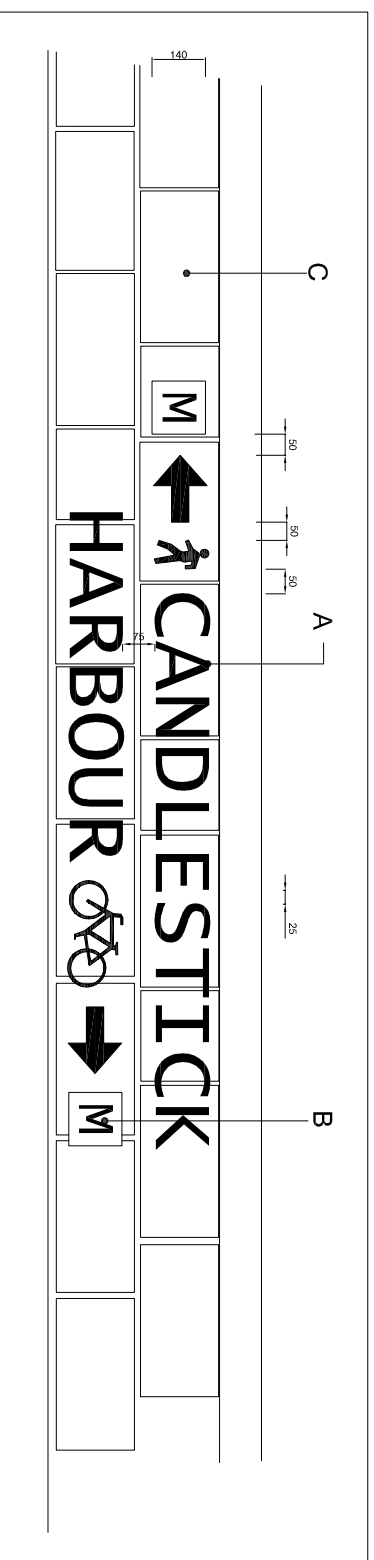


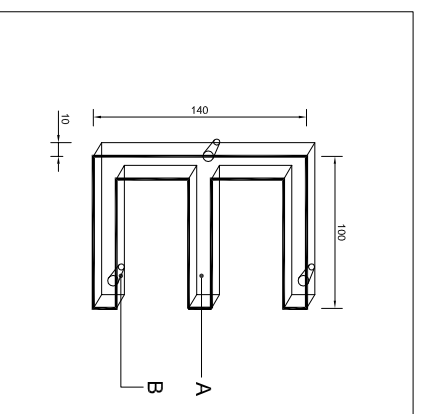
DESCRIPTION				
REV	DATE	DWN	CHK	APP
	07/04/07	RS	LF	LF
FIRST ISSUE				
REVISIONS				
REV	DATE	DWN	CHK	APP
Rev A	07/04/07	RS	LF	LF
Amendments to Detail				

Section - Example Signage on Wall
Scale 1:20



A - Steel cut lettering and signage
B - Steel cut motif. Refer to Drawing No. 19973/L/EAD/026
C - Existing/proposed wall or sandstone pillar

Section - Steel Cut Lettering
Scale 1:5



A - Steel cut lettering
B - Steel bolt fixing welded to back of lettering and resin fixed into wall/sandstone pillars (100mm depth)

NOTES:

- This drawing is for planning purposes only.
- All dimensions in millimetres.

SCALES: As Shown

PROJECT TITLE:
Haig Colliery Regeneration
Detail Sheets

DRAWING TITLE:
Signage: Steel Cut Lettering

CLIENT:
Copeland Borough Council

REF: _____

Entec

GABLES HOUSE, KENILWORTH ROAD,
LEAMINGTON SPA, WARWICKSHIRE CV32 0LX,
TEL: (01927) 959597 FAX: (01927) 959510

JOB No. 19973 DRAWING No. 19973/L/EAD/025A