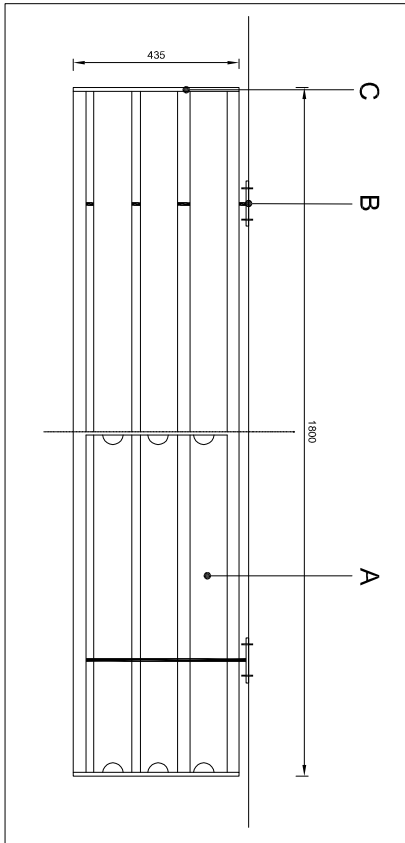


DESCRIPTION			
REV	DATE	DWN	CHK
	07/20/21	RS	LF
		LF	LF

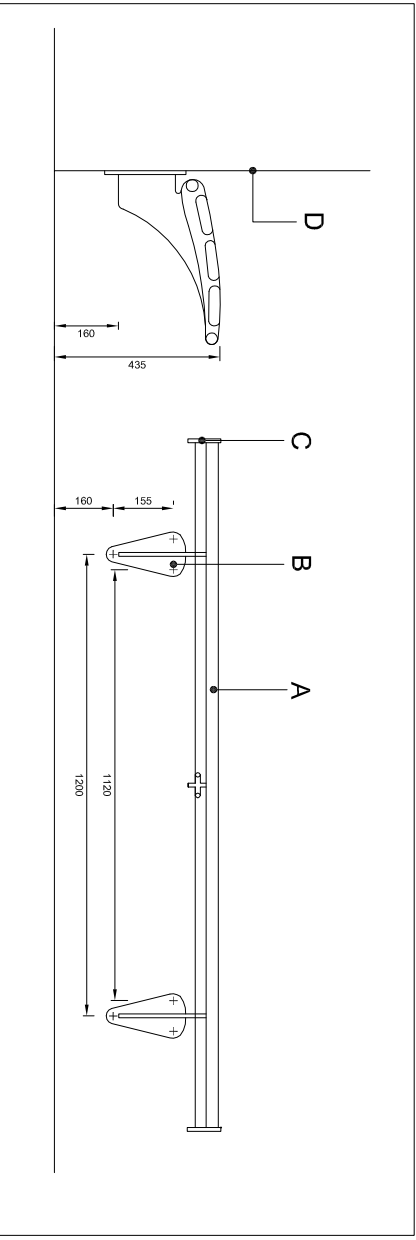
REVISIONS			
REV	DATE	DWN	CHK

Section - Geo Wall Seat - Plan View
Scale 1:20



- A - Iroko hardwood slats
- B - 12mm stainless steel profile support number
- C - Stainless steel end plates & connecting tubes

Section - Geo Wall Seat - Front and Side View
Scale 1:20



- A - Iroko hardwood slats
- B - 12mm stainless steel profile support number
- C - Stainless steel end plates & connecting tubes
- D - Wall

NOTES:
- This drawing is for planning purposes only.
- All dimensions in millimetres.

SCALES: As Shown
PROJECT TITLE:
Haig Colliery Regeneration
Detail Sheets
DRAWING TITLE:
Furniture: Geo Wall Seat

CLIENT:
Copeland Borough Council

REF: _____



GABLES HOUSE, KENILWORTH ROAD,
LEAMINGTON SPA, WARWICKSHIRE CV32 0LX,
TEL: (01927) 959597 FAX: (01927) 959510

JOB No. 19973 DRAWING No. 19973/LEAD/021